

New thinks new *advantages...*

Yeni fikirler, yeni *fırsatlar...*



Enjoy City (M3)

City Transport



Prepared by Teknotrim Sales & Marketing Department and date is 01.01.2021

Company Location



- ✓ As Teknotrim , we produce seating system in 6.000m² closed production area
- ✓ We have welding , foaming , molding , stamping , profile bending , cutting , sewing , final assembly workshops with incoming and outgoing storages.
- ✓ With all necessary production lines and machineries, we are completely integrated Corporation.



THE HISTORY OF TEKNOTRIM

2015

Teknotrim started to make his own cinema , conference and theatre seating system solution for respectable clients.

2019

Teknotrim decided to access of the commercial vehicle industry by generating the new generation passenger , co -driver, ambulance and special seating system solutions with contemporary design, building upon to start of R&D studies.

Furthermore , Teknotrim obtained ISO TS 9001 ; 14001 and OHSAS 18001 certifications.

2013

Teknotrim Co. has been established to produce main integral metal parts , PU parts and seat foam as semi finished materials for seat manufacturers globally.

2016

In order to hold an integrated facility completely, profile bending technology, stamping , welding technology and robotic systems have been adapted.

2020

Orbis 100 Intercity passenger seat , Apeiron DC and Nobilis DC ambulance seats are designed in scope of the creting the new generation seating system solutions

Teknotrim scheduled to obtaing of ISO TS 16949 quality certification

ERP software of is integrated to all departments to follow all process up through the system in order to hold a full of control on the tracebility , production planning , ordering , R&D activities , quality management , finance and logistic activities.

Welding & Foaming Process



We have 10 manual welding cells and robotic welding operations



We can make our own foam design and production capability. We produce more than 420.000 units backrest and seat cushion foam per year.



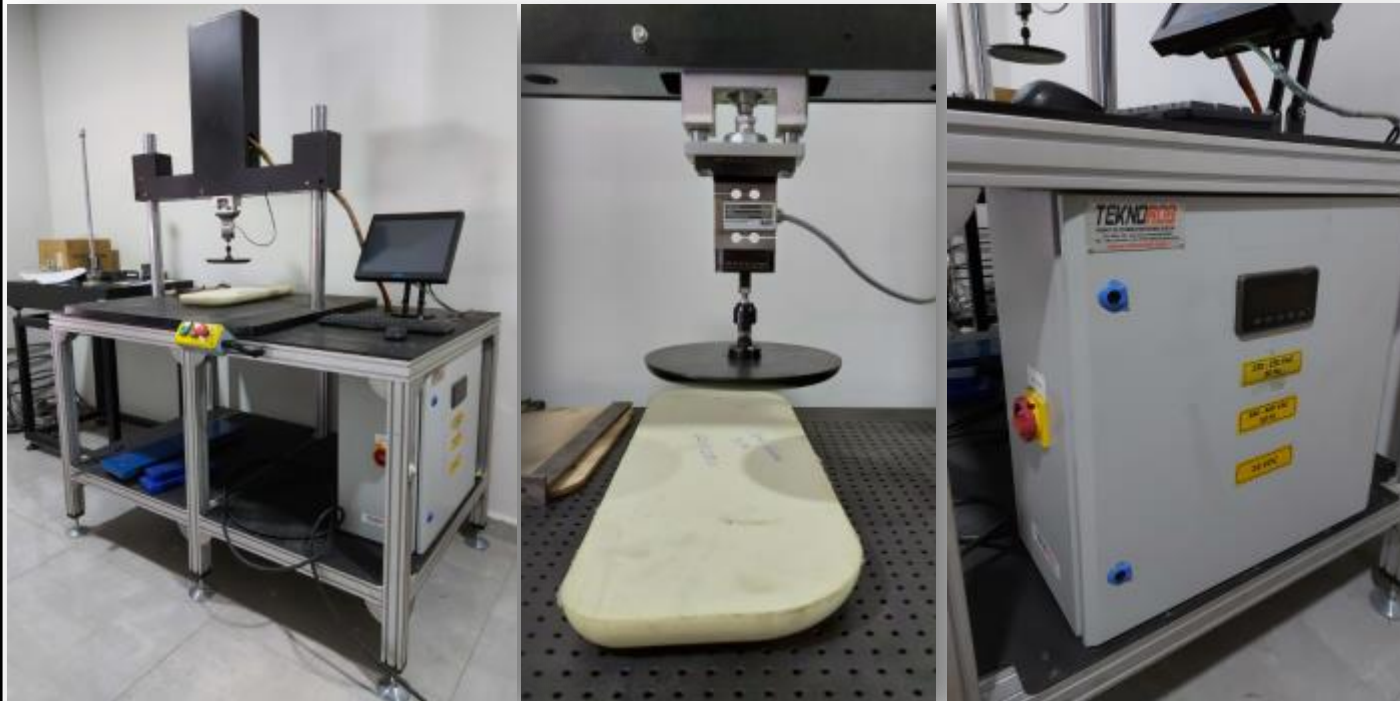
TEKNO ROB is our group company and all automation and linear robotic system needs are satisfied , developed and integrated by our group.



With highest and flexible robotic system usage advantage , all welding operations are made by robotic welding machines and all necessary welding apparatus and fixations are designed appropriate for robotic welding process



Foam Density Control Process



The foam density control machine has been designed and produced by our group company of TEKNOROB for our laboratory.

Hereby holding this machinery , we can make density control in prototype , pre-serial and serial phase of the product in various periods and all datas have been reported and followed up by our Quality Department regularly.

The foam density control machine is controlled , tested and funded due to it is considered as a national technology by The Scientific And Technological Research Council Of Turkey. The machinery is also patented by TEKNOROB.

www.teknorob.com



«...research is to see what everybody else has seen , and to think what nobody else has thought...»

Albert Sizent

Research & Development Capability

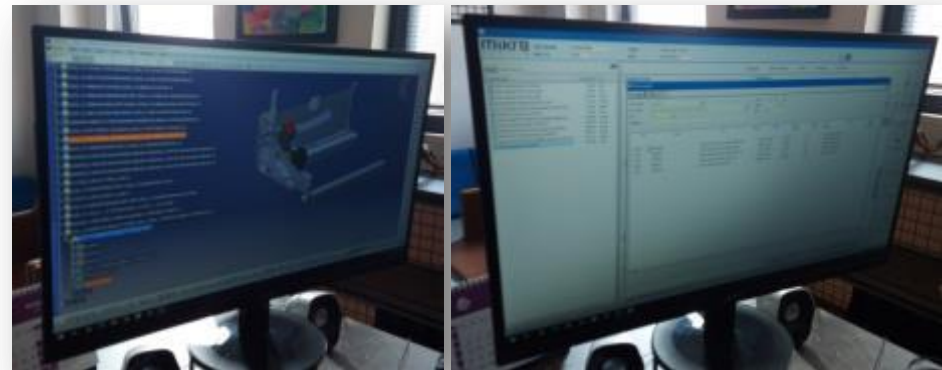
Research & Development consists of two main departments as Industrial & Mechanical Design Center and Product Development & Application Center

Our technical capability can be considered with following topics;

- 1. Industrial Product Design*
- 2. Mechanical Design*
- 3. Product Development & Applications*
- 4. Software & electrical design and application supported by Teknorob R&D*
- 5. Test & Documentation Process*
- 6. Project Management*

Data Base Management

We use Catia V5 and Autocad program and also ERP data base system program called MICROFLY PROFESSIONAL which has been developed mad most of the interface software codes by our R&D Software Specialists



Sewing & Last Montage & Storages



Packing & Storage Process

Management

Mustafa Samancı
General Manager

Bilgehan Gültekin
Sales & Marketing Manager

Fatih Vural
Foreign Trade Manager

Şenol Aladağ
R & D / Strategic Purchasing Manager

Sevilay Samancı
Account Manager

Sevilcan Ceylan
Quality Manager

Taner Peker
Logistic & Production Manager

Cüneyt Çetin
Project Executive

Abdullah Ayduğan
Quality Chief

Mustafa Tokmak
Metal Production Line Chief

Özgür Ece
Foaming Production Line Chief

Kazım Temel
Upholstery & Last Montage

- Totally we have 28 white collar and 95 blue collar staff
- Total worker is 123



Commercial Vehicle
Seating Systems



Enjoy City

(M3)

City Transport



- Constructed based on M3 main structure
- 370 mm , 420 mm and 440 mm seat width variations are available
- The material of main corpus is PPC
- Regulated based on ECE R118 flammability standart
- Contemporary design
- Highest ergonomic
- Special unique main structure
- Minimized welding process
- Security
- Weight advantage
- Modular production technology



Enjoy City (M3)
City Transport

Commercial Vehicle Seating System
Enjoy City Passenger Seat For City Transport

Industrial Design And Modular Technology



Enjoy City (M3)

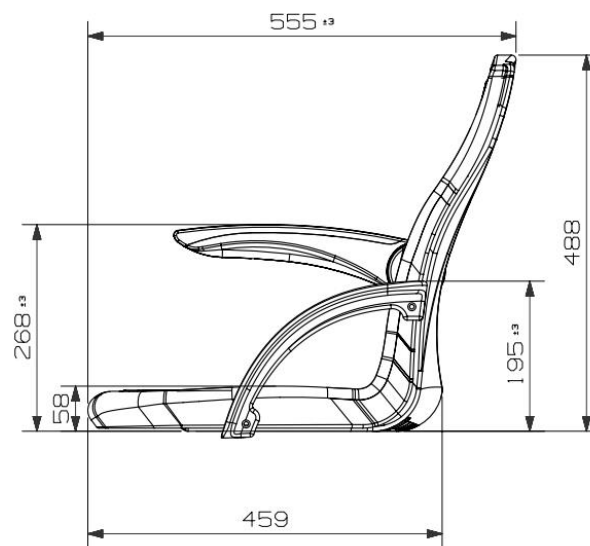
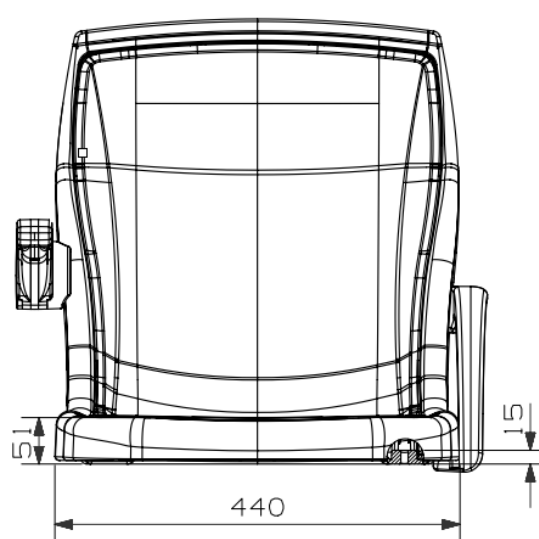
City Transport

Commercial Vehicle Seating System

Enjoy City Passenger Seat

2D Main Dimensions Of The Seat

There are three seat width alternatives as 370 mm , 420 mm and 440 mm



Enjoy City (M3)

City Transport



Pos	Description	Standart	Optional
1	Fixed Backrest	Standart	-
2	370 mm Seat Width	Standart	-
3	420 mm Seat Width	Standart	-
4	440 mm Seat Width	Standart	-
5	2P Plastic Hip Restraint	-	Optional
6	Pipe Support	-	Optional
7	Upward Foldable Armrest	-	Optional
8	Logo Application	-	Optional
9	Double Leg Connection	Standart	-

Enjoy City (M3)

City Transport

Commercial Vehicle Seating System

Enjoy City Passenger Seat

Upholstery Variations



Enjoy City 010 Upholstery

010 : All portions of the seat are trimmed with the same upholstery material completely



Enjoy City 020 Upholstery

020 : There is no trimming with any of the upholstery material

Enjoy City (M3)

City Transport

Commercial Vehicle Seating System Enjoy City Passenger Seat

Accessory Options



Pipe Support

Standard diameter of the pipe support is 32mm
Standard color is PANTONE 10



Hip Restraint

Fixed on the backrest and seat cushion
Standard color is PANTONE 10



Upward Foldable Armrest



Logo Application

Enjoy City (M3)

City Transport

Commercial Vehicle Seating System Enjoy City Passenger Seat

Color Variations



Enjoy City 020 Upholstery



In case of supply the seat with different main corpus color , it is available to provide under the condition of supply min. 750 units for each order.

New thinks new *advantages...*



Yeni fikirler, yeni *fırsatlar...*

THANK YOU

Prepared by Teknotrim Sales & Marketing Department and date is 01.01.2021

