

New thinks new *advantages...*

Yeni fikirler, yeni *fırsatlar...*



Techno Tip Up 030

City & Intercity Transport



Prepared by Teknotrim Sales & Marketing Department and date is 01.01.2021

Company Location



- ✓ As Teknotrim , we produce seating system in 6.000m² closed production area
- ✓ We have welding , foaming , molding , stamping , profile bending , cutting , sewing , final assembly workshops with incoming and outgoing storages.
- ✓ With all necessary production lines and machineries, we are completely integrated Corporation.



THE HISTORY OF TEKNOTRIM

2015

Teknotrim started to make his own cinema , conference and theatre seating system solution for respectable clients.

2019

Teknotrim decided to access of the commercial vehicle industry by generating the new generation passenger , co -driver, ambulance and special seating system solutions with contemporary design, building upon to start of R&D studies.

Furthermore , Teknotrim obtained ISO TS 9001 ; 14001 and OHSAS 18001 certifications.

2013

Teknotrim Co. has been established to produce main integral metal parts , PU parts and seat foam as semi finished materials for seat manufacturers globally.

2016

In order to hold an integrated facility completely, profile bending technology, stamping , welding technology and robotic systems have been adapted.

2020

Orbis 100 Intercity passenger seat , Apeiron DC and Nobilis DC ambulance seats are designed in scope of the creting the new generation seating system solutions

Teknotrim scheduled to obtaing of ISO TS 16949 quality certification

ERP software of is integrated to all departments to follow all process up through the system in order to hold a full of control on the tracebility , production planning , ordering , R&D activities , quality management , finance and logistic activities.

Welding & Foaming Process



We have 10 manual welding cells and robotic welding operations



We can make our own foam design and production capability. We produce more than 420.000 units backrest and seat cushion foam per year.



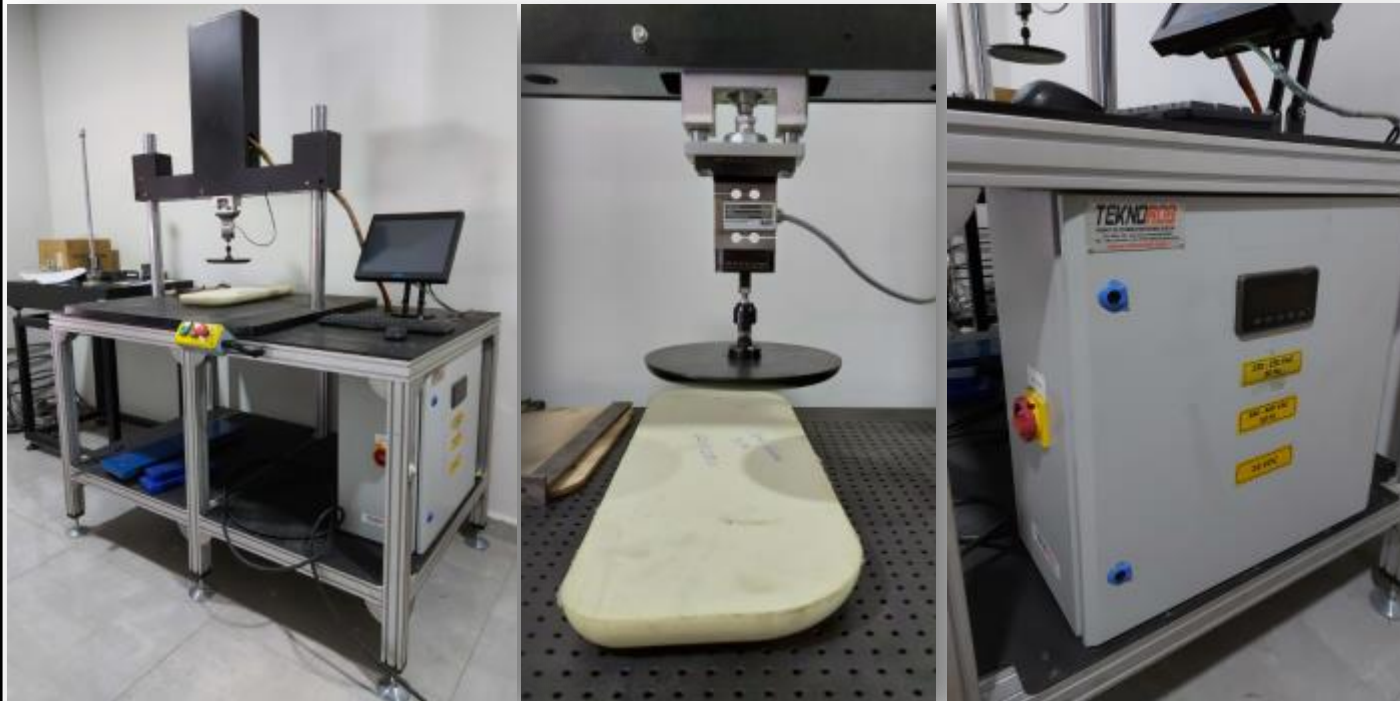
TEKNOROB is our group company and all automation and linear robotic system needs are satisfied , developed and integrated by our group.



With highest and flexible robotic system usage advantage , all welding operations are made by robotic welding machines and all necessary welding apparatus and fixations are designed appropriate for robotic welding process



Foam Density Control Process



The foam density control machine has been designed and produced by our group company of TEKNOROB for our laboratory.

Hereby holding this machinery , we can make density control in prototype , pre-serial and serial phase of the product in various periods and all datas have been reported and followed up by our Quality Department regularly.

The foam density control machine is controlled , tested and funded due to it is considered as a national technology by The Scientific And Technological Research Council Of Turkey. The machinery is also patented by TEKNOROB.

www.teknorob.com



«...research is to see what everybody else has seen , and to think what nobody else has thought...»

Albert Sizent

Research & Development Capability

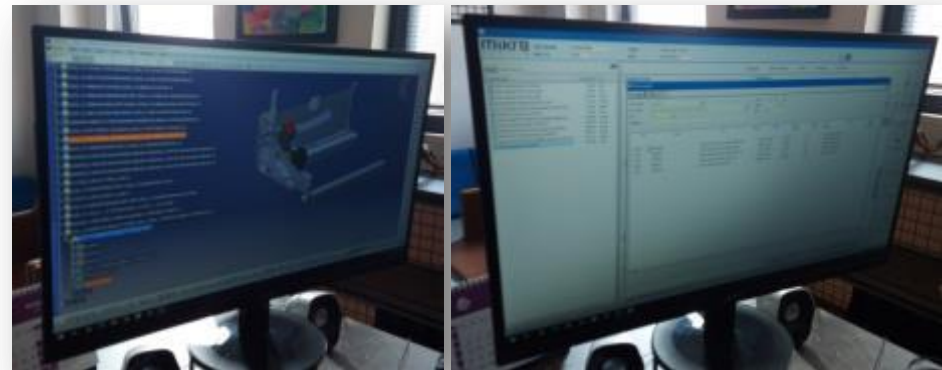
Research & Development consists of two main departments as Industrial & Mechanical Design Center and Product Development & Application Center

Our technical capability can be considered with following topics;

- 1.Industrial Product Design*
- 2.Mechanical Design*
- 3.Product Development & Applications*
- 4.Software & electrical design and application supported by Teknorob R&D*
- 5.Test & Documentation Process*
- 6.Project Management*

Data Base Management

We use Catia V5 and Autocad program and also ERP data base system program called MICROFLY PROFESSIONAL which has been developed mad most of the interface software codes by our R&D Software Specialists



Sewing & Last Montage & Storages



Packing & Storage Process

Management

Mustafa Samancı
General Manager

Bilgehan Gültekin
Sales & Marketing Manager

Fatih Vural
Foreign Trade Manager

Şenol Aladağ
R & D / Strategic Purchasing Manager

Sevilay Samancı
Account Manager

Sevilcan Ceylan
Quality Manager

Taner Peker
Logistic & Production Manager

Cüneyt Çetin
Project Executive

Abdullah Ayduğan
Quality Chief

Mustafa Tokmak
Metal Production Line Chief

Özgür Ece
Foaming Production Line Chief

Kazım Temel
Upholstery & Last Montage

- Totally we have 28 white collar and 95 blue collar staff
- Total worker is 123



Commercial Vehicle
Seating Systems



Techno Tip Up 030

City & Intercity Transport



- Constructed Based on PA%30 Plastic Injection Main Corpus
- 440 mm seat width in straight position of the seat cushion
- The material of main corpus is PA
- Regulated based on ECE R118 flammability standard
- Contemporary design
- Highest ergonomic
- Special unique main structure
- Minimized welding process
- Security
- Weight advantage
- Modular production technology



Techno Tip Up 030

City & Intercity Transport

Commercial Vehicle Seating System
Techno Tip Up 030 Seat For City & Intercity Transport

Industrial Design And Modular Technology



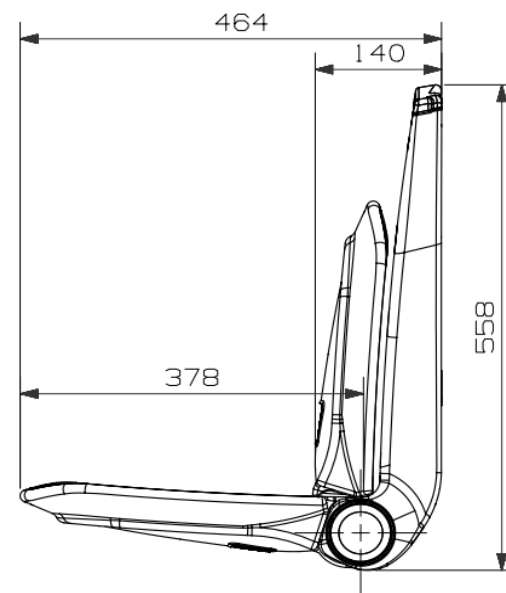
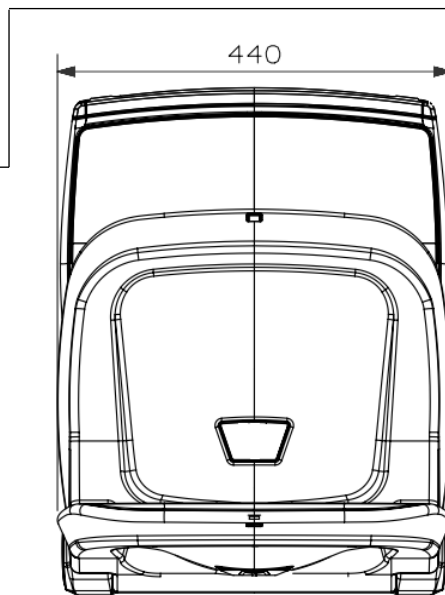
Techno Tip Up 030

City & Intercity Transport

Commercial Vehicle Seating System

Techno Tip Up 030

2D Main Dimensions Of The Seat



Techno Tip Up 030

City & Intercity Transport



Pos	Description	Standart	Optional
1	Fixed Backrest	Standart	-
2	440 mm Seat Width	Standart	-
3	Upward Foldable Seat Cushion	Standart	-
4	Upholstery	Standart	-
5	Wall Connection	Standart	-
6	Logo Application	-	Optional

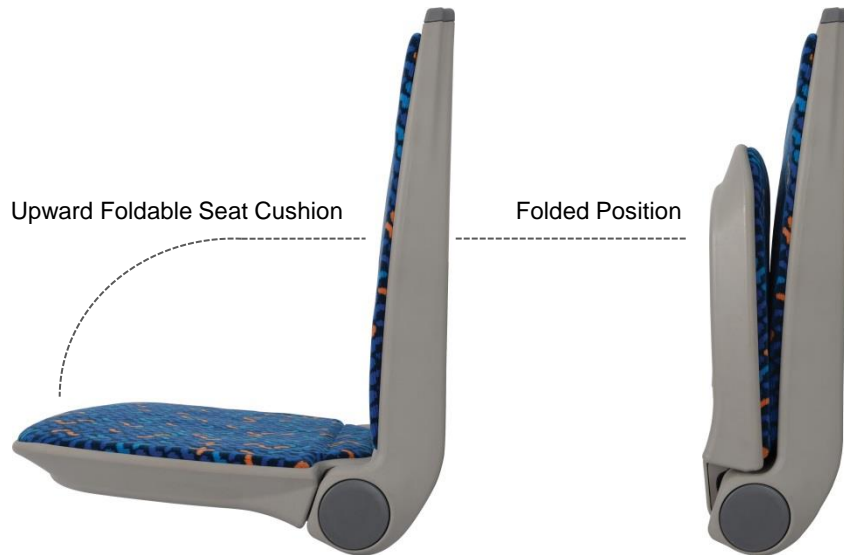
Total weight of the seat is 7250 gr

Techno Tip Up 030

City & Intercity Transport

Commercial Vehicle Seating System
Techno Tip Up 030 Seat

Functionality & Accessory Options



In Folded Position , the total seat thickness is being 140mm

Company logo
application is
available



New thinks new *advantages...*



Yeni fikirler, yeni *fırsatlar...*

THANK YOU

Prepared by Teknotrim Sales & Marketing Department and date is 01.01.2021

